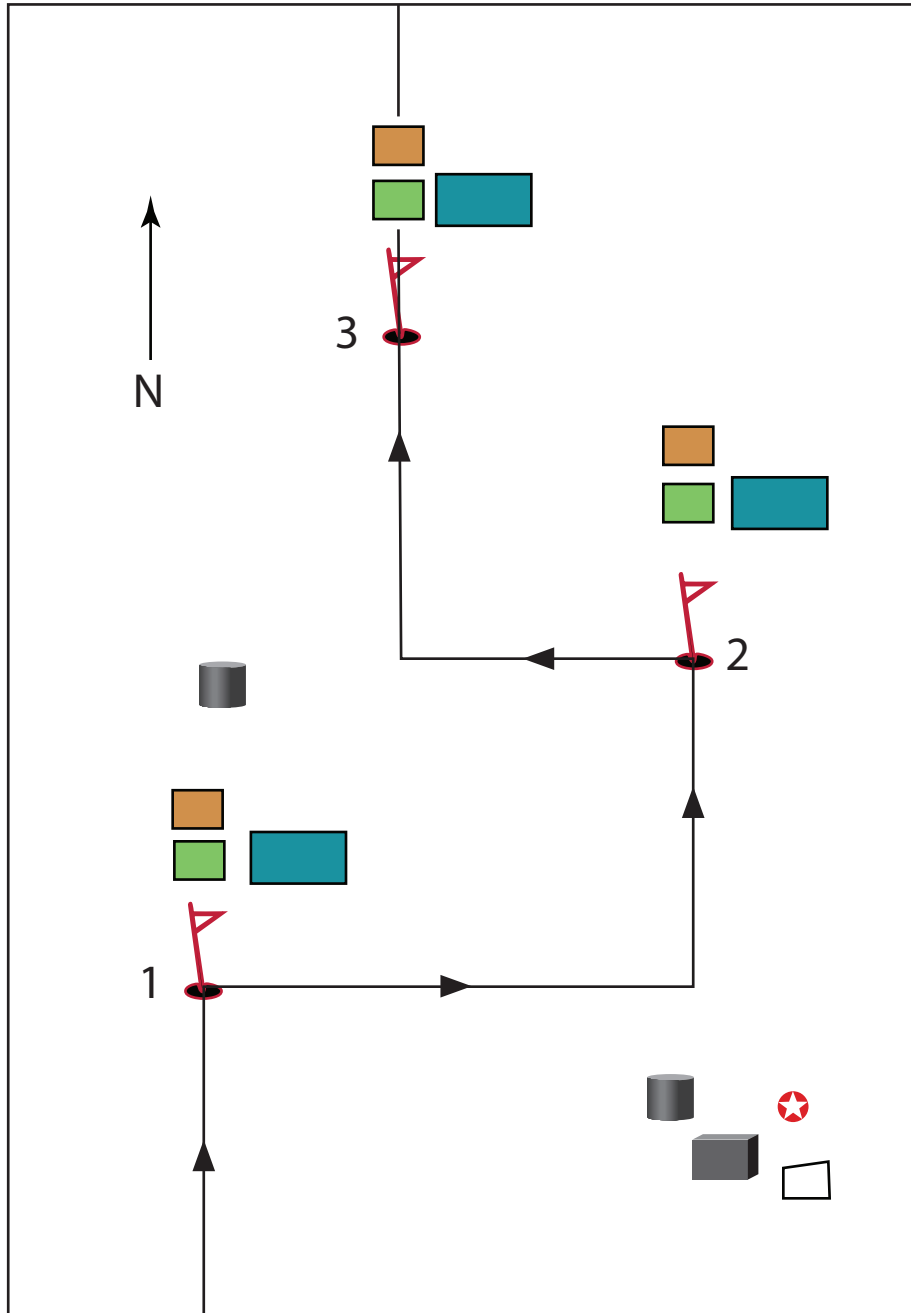


GLBRC Station Flags



Distance from SW corner

Station 1: 10m N, 8m E

Station 2: 20m N, 20 m E

Station 3: 31m N, 12m E

Effective 2015

Spring soil sampling

Fall soil sampling

NPP

Static gas chambers

Automated gas chambers

Lysimeters

Time domain reflectometry

